

# Revisiting storage virtualization for modern devices

Damien Thenot

Télécom SudParis - IP Paris & Vates

Supervisor: Gaël Thomas

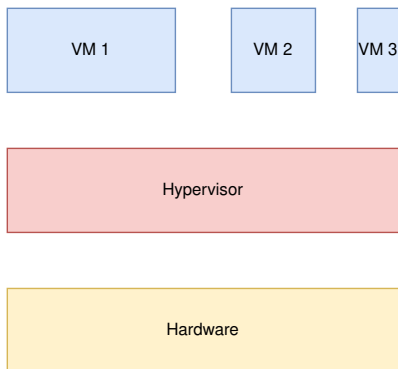


13/06/2022



1/6

## Basic



- Multiple operating systems running in parallel
- Maximizing the use of resources

**Xen** : Hypervisor that run directly on the hardware, creates Dom0 while booting

**Dom0**

Dom0 is a special VM used to control HW devices  
What devices is not handled by Xen directly is given to this VM, i.e. network, storage etc...



## Problem

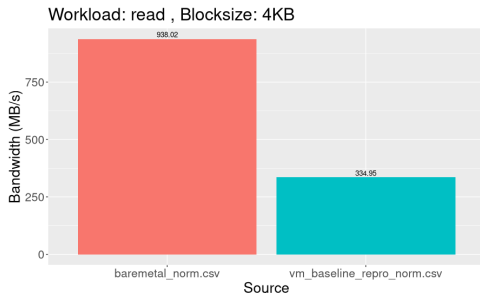
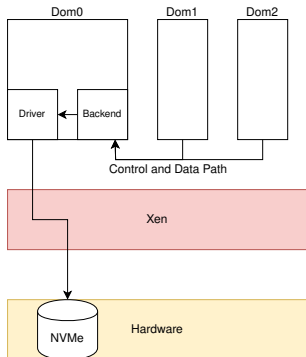


Figure – Comparison of baremetal and virtualized storage read access performance

⇒ New storage technologies availability shows the limitations of the current storage virtualization solution



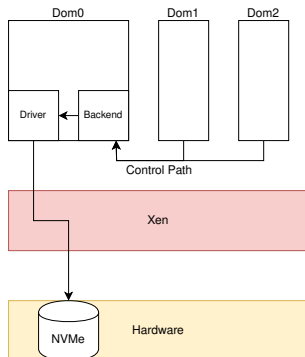
## The Old Way



- Control path in the Dom0
- Data using the Dom0 block storage layer path



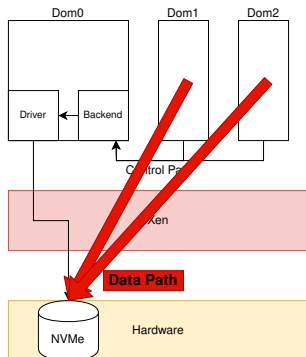
## Our proposal



- Control path in the Dom0



## Our proposal



- Control path in the Dom0
- Data using a more direct path, DMA from disk  $\Rightarrow$  zero-copy of data



Thank you !

